



### MAG55 LED

#### **BULKHEAD/FLOODLIGHT/STREETLIGHT LUMINAIRES:**

#### **INSTALLATION, OPERATION AND MAINTENANCE MANUAL.**

#### **Brand, type and recognised names: Magnitech MAG55 40/50/60/70/80/90/100W LED bulkhead/floodlight/streetlight.**

Thank you for purchasing this product. To ensure optimal performance and safety please install the product according to the instructions listed below. Please ensure this manual is appropriately stored for future reference.

#### **SAFETY:**

This is an electrically powered product. It is designed to be installed by suitably qualified personnel only, in accordance with the applicable compliance standards, building, electrical, and any other regulations for the area in which this product is to be installed. Before installation or maintenance, the electrical supply to the product must be isolated, failure to do so may result in damage to the product and/or harm to the individuals involved.

#### **1 DESCRIPTION**

- Rated wattage: 60//80W/100W
- Rated mains voltage: 220/240V 50/60Hz.
- IP Rating: IP66.
- Kinetic Protection: IK08
- Ambient temperature range Ta -20 to + 40°C

#### **Supplied Equipment:**

- This luminaire is pre-wired with 1,5mm<sup>2</sup> x 3core PVC/Silicon power cord.
- 2 x External mounting lugs/1 x Floodlight bracket/1 x Streetlight Spigot (As Applicable).

#### **2 INSTALLATION (WITH SUPPLY DISCONNECTED)**

- Mount the luminaire using external mounting lugs, floodlight bracket or streetlight spigot as applicable.
- Ensure that the luminaire is connected as per pre-wired cable.
- Test for Operation

#### **3 REPAIRS (NOT TO BE DONE EXTERNALLY WITHIN THE WARRANTY PERIOD)**

Only qualified electrical personnel should perform maintenance on this product and only if the warranty period has lapsed.

- The light source including the LED array, driver/power supply, and wiring is only to be replaced by qualified professionals.
- **CAUTION, RISK OF ELECTRIC SHOCK**

**WARNING: Ensure luminaire is switched off & suitably cooled down before carrying out any maintenance work. Do not open luminaires when energized.**

#### **4 LUMEN MAINTENANCE**

- Maintenance/Cleaning should be done at regular intervals to ensure optimal luminaire performance.
- Use a damp cloth to avoid static shock/build-up, clean off any dust/dirt that has accumulated on the glass and/or housing.

#### **5 LEGAL REQUIREMENTS FOR CLASSIFIED LUMINAIRES**

Luminaires are subject to the OHS Act, the NHA, as well as all other applicable compliance standards/regulations within the borders of South Africa, which prescribe the conditions relating to the selection, installation and repair of classified luminaires.

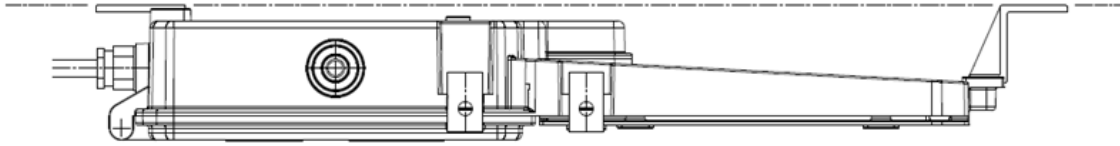
**SUBJECT TO THE PROVISIONS OF LEGAL REQUIREMENTS HERETO, ONLY DULY QUALIFIED PERSONS MAY CONNECT, DISCONNECT OR TROUBLE SHOOT CLASSIFIED ELECTRICAL APPARATUS.**



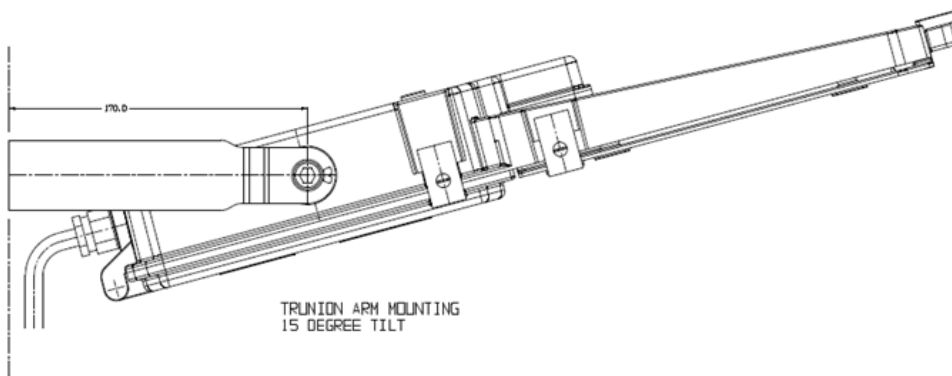


# MAGNITECH

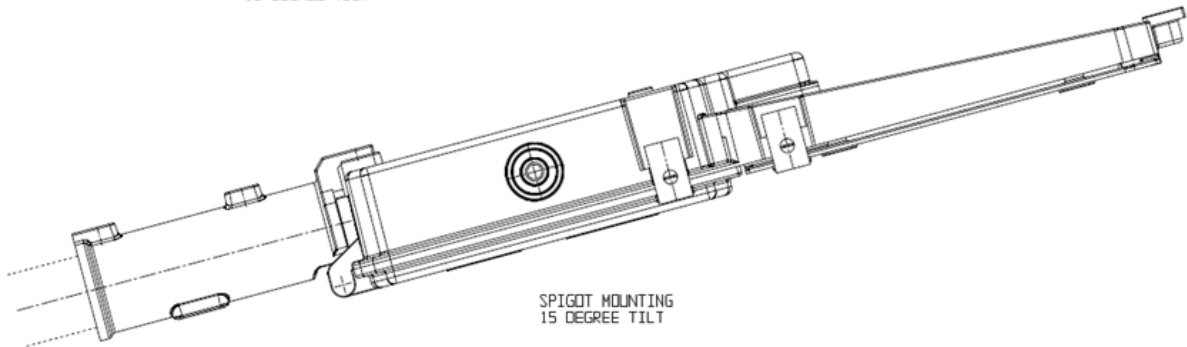
LIGHTING INDUSTRIES



CEILING MOUNTING



TRUNION ARM MOUNTING  
15 DEGREE TILT



SPIGOT MOUNTING  
15 DEGREE TILT

<b>Dimensions (LxWxH):</b>	Bulkhead: 475mm x 200mm x 69mm Streetlight: 625mm x 200mm x 75mm Floodlight: 505mm x 220mm x 69mm
<b>Weight:</b>	Bulkhead: 3.45Kg Streetlight: 3.82Kg Floodlight: 3.85Kg
<b>Aerodynamic Resistance (HxL):</b>	0.028m <sup>2</sup>
<b>Standard Mounting Options:</b>	Streetlight Spigot: Ø42mm x 150mm Floodlight Bracket: 186mm x 216mm Mounting Lugs: 75.5mm x 76mm
<b>Mounting Position (Universal):</b>	Horizontal
<b>Materials:</b>	Optics: PMMA Housing: EN-AC44300 (LM6) Aluminium
<b>Torque Setting For All Mounting Bolts:</b>	13Nm

