

MAGLED GEN II



MAGNITECH
LIGHTING INDUSTRIES

Marine-Grade Aluminium Bulkhead



60W

9,736
lumens

80W

12,476
lumens

100W

15,039
lumens

115W

17,579
lumens



Reliability & Performance!

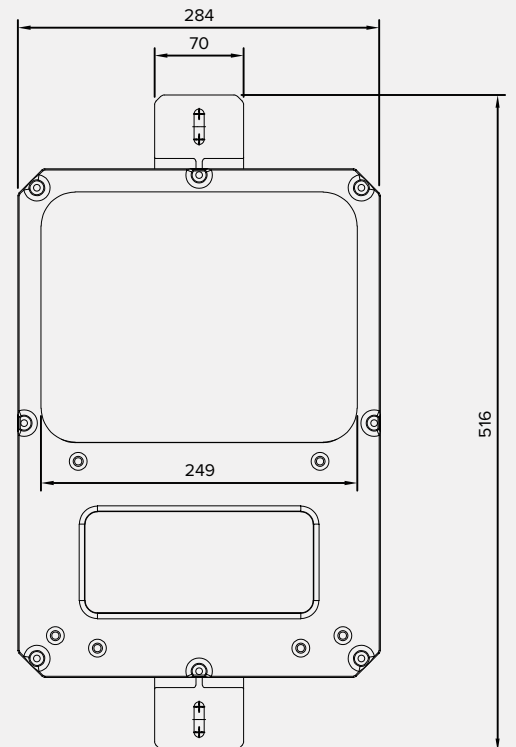
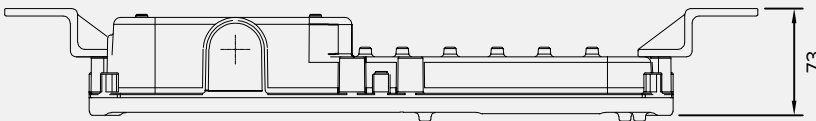
The MAGLED Gen II delivers exceptional reliability and superb photometric performance, engineered for demanding industrial environments. Its slim, robust design minimises dirt and dust build-up, making it ideal for long-term use in both general industrial settings and hazardous areas (Zone 2 & 21/22).



Fit-For-Purpose:

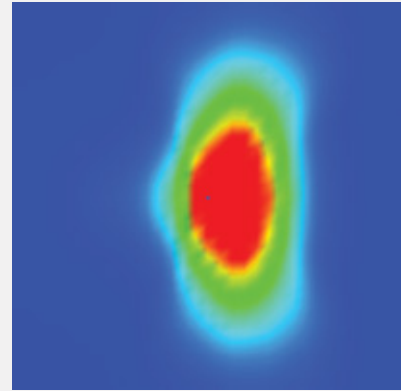
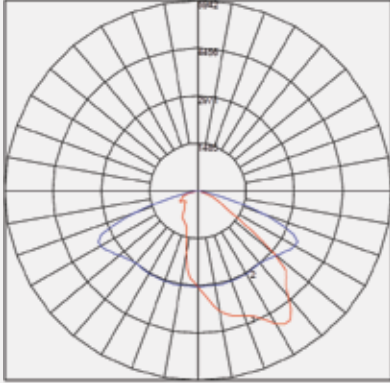
- Industrial Lighting
- Outdoor Lighting
- Security Lighting
- Conveyors
- Dusty & Dirty Environments
- Tunnel Lighting
- Zone 2 & 21/22
(Zone 2: Max 80w
Zone 21/22: Max 115w)
- Plant Lighting

Description	Length (L)	Width (W)	Height (H)
MAGLED GEN II	516mm	284mm	73mm



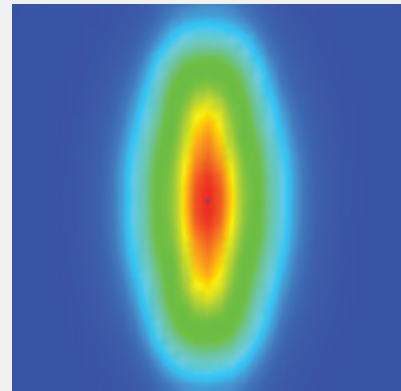
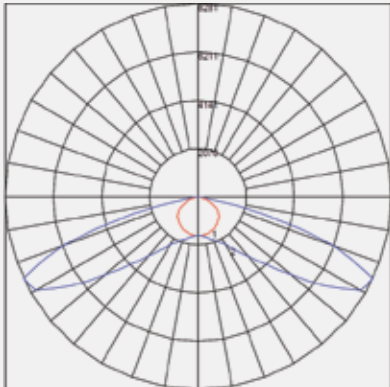


IES ROAD REPORT
PHOTOMETRIC FILENAME : MAGLED GEN II ME OPTICS.IES
POLAR GRAPH



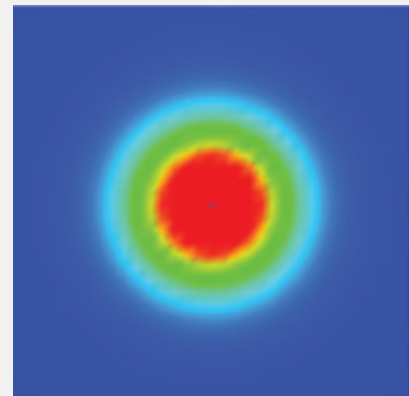
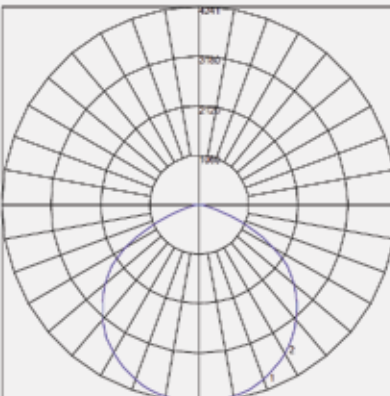
Maximum Candela = 5941734 Located At Horizontal Angle = 292.5, Vertical Angle = 55
#1 - Vertical Plane Through Horizontal Angles (0-180)
#2 - Vertical Plane Through Horizontal Angles (90-270)

IES ROAD REPORT
PHOTOMETRIC FILENAME : MAGLED GEN II T1 OPTICS.IES
POLAR GRAPH



Maximum Candela = 8281214 Located At Horizontal Angle = 270, Vertical Angle = 65
#1 - Vertical Plane Through Horizontal Angles (0-180)
#2 - Vertical Plane Through Horizontal Angles (90-270)

IES ROAD REPORT
PHOTOMETRIC FILENAME : MAGLED GEN II GENERAL FLOODLIGHT .IES
POLAR GRAPH



Maximum Candela = 4240.566 Located At Horizontal Angle = 360, Vertical Angle = 0
#1 - Vertical Plane Through Horizontal Angles (0-180)
#2 - Vertical Plane Through Horizontal Angles (90-270)

*Other photometric distributions available on request



FEATURE	MLED060	MLED080	MLED100	MLED115
NOMINAL POWER	60W	80W	100W	115W
LUMINOUS FLUX (LM)	UP TO 9,736	UP TO 12,476	UP TO 15,039	UP TO 17,579
LUMINOUS EFFECIENCY (LM/W)	UP TO 161	UP TO 156	UP TO 152	UP TO 145
NUMBER OF LEDS	24	24	24	24
COLOUR TEMPERATURE	4000K (STANDARD) 2200K / 3000K / 5000K / 6500K (OPTIONAL)			
LED LIFETIME (HOURS) @ Ta 25 °C	L90B10 > 100 000 HRS			
CRI	>70			
DIFFUSER	GLASS - IK08 (STANDARD) POLYCARBONATE - IK09/10 (OPTIONAL)			
NOMINAL INPUT VOLTAGE	220V-240V (STANDARD) 90V-305V (OPTIONAL)			
OPERATING TEMPERATURE (Ta)	-40°C to 55°C			
SURGE PROTECTION	10kV (STANDARD) 20kV (OPTIONAL)			
IP RATING	IP66			
GROSS WEIGHT	5KG			

* Values shown are AFTER both Thermal and Optical losses. Output will vary depending on optics utilised. Performance values are subject to ±5% variance.

Emergency Options

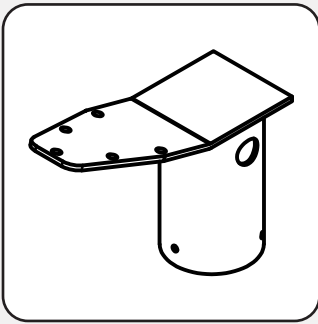
FEATURE	MLED060	MLED080	MLED100	MLED115
OUTPUT POWER	5W (STANDARD) 20W / 40W (OPTIONAL)			
EMERGENCY DURATION	>1 HR (Max Ta 40°C)			

Product Code Logic

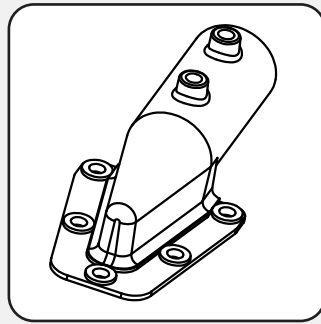
MLED	-	XXX	-	X	X	-	X	X	
FAMILY NAME		WATTAGE		CT	OPTICS		MOUNTING	OPERATING MODE	ZONE RATING
		060 = 60W		2 = 2200K	0 = No Optics		1 = Complete (Lugs Fitted)	0 = Standard	0 = Standard
		080 = 80W		3 = 3000K	1 = T1		2 = Floodlight Bracket (HDG)	E = Emergency Maintained	2 = Zone 2
		100 = 100W		4 = 4000K	2 = ME		3 = Floodlight Bracket (S/S)	N = Emergency Non-Maintained	3 = Zone 21/22
		115 = 115W		5 = 5000K	3 = FT		4 = Streetlight Spigot		
				6 = 6500K	4 = T2				
					5 = T4				
					6 = ME WIDE				

Due to continuing R&D, the above data may change without prior notice. Please consult us for the latest available options. Warranties subject to our standard terms and conditions of sale. Visit our website for our full product range - www.magnitech.co.za.

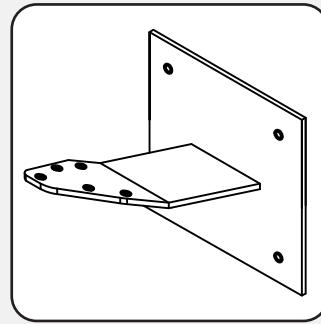
Accessories



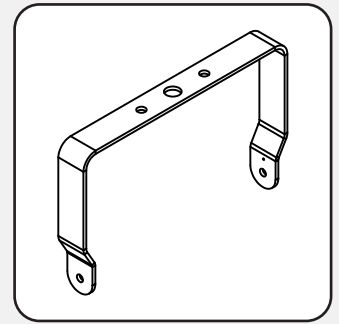
76mm OD
Pole Mount



42mm OD
Pole Mount



Wall Mount



Floodlight
Bracket

Related Products



MAGLED MINI



MAG40 LED



MAG44 LED

MAGNITECH - BENCHMARKING THE STANDARD OF **QUALITY**



MAGNITECH
LIGHTING INDUSTRIES

MAGNITECH (PTY) LTD

21 RAEBOR ROAD, BENROSE, JOHANNESBURG, 2094

TEL: +27 11 618 2720 | **FAX:** +27 11 614 9603 **EMAIL:** SALES@MAGNITECH.CO.ZA

WWW.MAGNITECH.CO.ZA